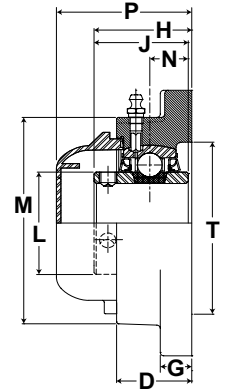
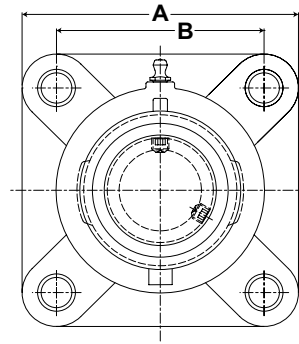


CRFS Bearings



- Duty:** Standard
- Housing:** 316 Passivated Stainless Steel Four Bolt Flange
- Self-Alignment:** +/- 2 Degrees
- Lock:** Setscrew
- Seal:** HPS
- Temperature:** -20° to 220°F
- Grease:** Sealmaster GoldPlex-FG



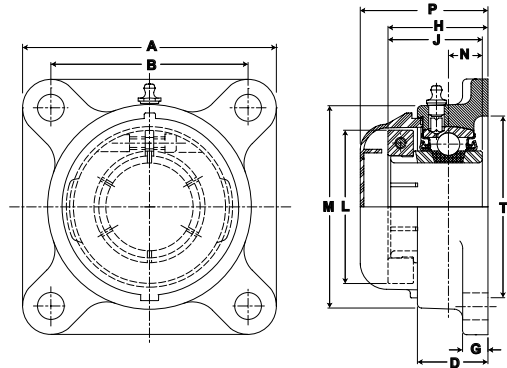
CRFS-PN Series 4 Bolt Flange Setscrew Locking

BORE DIAMETER		PART No.	BEARING INSERT No.	BASIC DYNAMIC RATING lb/N	DIMENSIONS inch/mm													UNIT Wt. lb/kg	OPEN CAP	CLOSED CAP	BACKSIDE SHIELD
inch	mm				A	B	D	G	H	J	L	M	N	P	T	BOLT SIZE					
3/4	-	CRFS-PN12	PN-12	2611 11614	3 3/8 85.7	2 1/2 63.5	31/32 24.6	7/16 11.1	1 9/32 32.5	1 7/32 31.0	1 3/16 30.2	2 1/2 63.5	1/2 12.7	2 19/64 58.3	2 50.8	3/8	1.50 .68	ECO-12	ECC-12	4BSS-12	
-	20	CRFS-PN204	PN-204																		
1	-	CRFS-PN16	PN-16	2801 12459	3 3/4 95.3	2 3/4 69.9	1 5/64 27.4	17/32 13.5	1 7/16 36.5	1 3/8 34.9	1 3/8 34.9	2 23/32 69.1	9/16 14.3	2 7/16 61.9	2 3/8 60.3	7/16	2.10 .95	ECO-16	ECC-16	4BSS-16	
-	25	CRFS-PN205	PN-205																		
1 3/16	-	CRFS-PN19	PN-19	4381 19488	4 1/4 108.0	3 1/4 82.6	1 7/32 31.0	17/32 13.5	1 9/16 39.7	1 1/2 38.1	1 19/32 40.5	3 7/32 81.8	5/8 15.9	2 37/64 65.5	2 7/8 73.0	7/16	3.05 1.38	ECO-19	ECC-19	4BSS-19	
1 1/4	-	CRFS-PN20R	PN-20R															ECO-20R		4BSS-20R	
-	30	CRFS-PN206	PN-206															ECO-19		4BSS-19	
1 1/4	-	CRFS-PN20	PN-20	5782 25720	4 5/8 117.5	3 5/8 92.1	1 11/32 34.1	9/16 14.3	1 3/4 44.5	1 11/16 42.9	1 55/64 47.2	3 3/4 95.3	11/16 17.5	2 3/4 69.9	3 5/16 84.1	1/2	4.10 1.86	ECO-20	ECC-23	4BSS-20	
1 3/8	-	CRFS-PN22	PN-22															ECO-23		4BSS-22	
1 7/16	-	CRFS-PN23	PN-23															ECO-23		4BSS-23	
-	35	CRFS-PN207	PN-207															ECO-23		4BSS-22	
1 1/2	-	CRFS-PN24	PN-24	7340 32650	5 1/8 130.2	4 101.6	1 1/2 38.1	9/16 14.3	2 1/64 51.2	1 15/16 49.2	2 1/16 52.4	4 5/64 103.6	3/4 19.1	3 1/64 76.6	3 1/2 88.9	1/2	5.50 2.49	ECO-24	ECC-24	4BSS-24	
-	40	CRFS-PN208	PN-208															N/A			
1 11/16	-	CRFS-PN27	PN-27	7901 35145	5 3/8 136.5	4 1/8 104.8	1 9/16 39.7	9/16 14.3	2 3/64 52.0	1 15/16 49.2	2 19/64 58.3	4 21/64 109.9	3/4 19.1	3 3/64 77.4	3 7/8 98.4	9/16	5.70 2.59	ECO-27	ECC-27	4BSS-27	
1 3/4	-	CRFS-PN28	PN-28															N/A		N/A	
-	45	CRFS-PN209	PN-209															N/A		N/A	
1 15/16	-	CRFS-PN31	PN-31	7889 35092	5 5/8 142.9	4 3/8 111.1	1 9/16 39.7	9/16 14.3	2 5/32 54.8	2 1/32 51.6	2 15/32 62.7	4 35/64 115.5	3/4 19.1	3 3/64 77.4	4 101.6	9/16	6.70 3.04	ECO-31	ECC-31	4BSS-31	
2	-	CRFS-PN32R	PN-32R															N/A			
-	50	CRFS-PN210	PN-210															4BSS-31			
2	-	CRFS-PN32	PN-32	9752 43379	6 3/8 161.9	5 1/8 130.2	1 3/4 44.5	13/16 20.6	2 5/16 58.7	2 3/16 55.6	2 23/32 69.1	5 3/16 131.8	7/8 22.2	3 13/32 86.5	4 1/4 108.0	5/8	10.50 4.76	ECO-35	ECC-35	4BSS-32	
2 3/16	-	CRFS-PN35	PN-35															4BSS-35			
-	55	CRFS-PN211	PN-211															4BSS-35			
2 3/8	-	CRFS-PN38	PN-38	11789 52440	6 7/8 174.6	5 5/8 142.9	1 15/16 49.2	13/16 20.6	2 11/16 68.3	2 9/16 65.1	2 63/64 75.8	5 7/16 138.1	1 25.4	3 51/64 96.4	5 127.0	5/8	12.00 5.44	ECO-39	ECC-39	4BSS-38	
2 7/16	-	CRFS-PN39	PN-39															4BSS-39			
-	60	CRFS-PN212	PN-212															4BSS-38			

Metric dimensions for reference only.
 Not all parts are available from stock. Please contact customer service for availability (800) 626-2120.
 For more information on bearing capabilities outside of our standard offering, please contact Application Engineering (800) 626-2093.



- Duty:** Standard
- Housing:** 316 Passivated Stainless Steel Four Bolt Flange
- Self-Alignment:** +/- 2 Degrees
- Lock:** Skwezloc Locking Collar
- Seal:** HPS
- Temperature:** -20° to 220°F
- Grease:** Sealmaster GoldPlex-FG



CRFS-PN-T Series 4 Bolt Flange Skwezloc Locking Collar

BORE DIAMETER		PART No.	BEARING INSERT No.	BASIC DYNAMIC RATING lb/N	DIMENSIONS inch/mm													UNIT Wt. lb/kg	OPEN CAP	CLOSED CAP	BACKSIDE SHIELD
					A	B	D	G	H	J	L	M	N	P	T	BOLT SIZE					
inch	mm																				
3/4	-	CRFS-PN12T	PN-12T	2611 11614	3 3/8 85.7	2 1/2 63.5	31/32 24.6	7/16 11.1	1 9/32 32.5	1 7/32 31.0	1 3/4 44.5	2 1/2 63.5	1/2 12.7	2 9/32 57.9	2 50.8	3/8	1.50 .68	ECO-12	ECC-12	4BSS-12	
-	20	CRFS-PN204T	PN-204T																		
1	-	CRFS-PN16T	PN-16T	2801 12459	3 3/4 95.3	2 3/4 69.9	1 5/64 27.4	17/32 13.5	1 7/16 36.5	1 3/8 34.9	1 15/16 49.2	2 45/64 68.7	9/16 14.3	2 7/16 61.9	2 21/64 59.1	7/16	2.10 .95	ECO-16	ECC-16	4BSS-16	
-	25	CRFS-PN205T	PN-205T																		
1 3/16	-	CRFS-PN19T	PN-19T															ECO-19		4BSS-19	
1 1/4	-	CRFS-PN20RT	PN-20RT	4381 19488	4 1/4 108.0	3 1/4 82.6	1 7/32 31.0	17/32 13.5	1 9/16 39.7	1 1/2 38.1	2 3/16 55.6	3 13/64 81.4	5/8 15.9	2 9/16 65.1	2 7/8 73.0	7/16	3.05 1.38	ECO-20R	ECC-19	4BSS-20R	
-	30	CRFS-PN206T	PN-206T															ECO-19		4BSS-19	
1 1/4	-	CRFS-PN20T	PN-20T	5782 25720	4 5/8 117.5	3 5/8 92.1	1 11/32 34.1	9/16 14.3	1 3/4 44.5	1 11/16 42.9	2 7/16 61.9	3 3/4 95.3	11/16 17.5	2 3/4 69.9	3 5/16 84.1	1/2	4.10 1.86	ECO-20	ECC-23	4BSS-20	
1 3/8	-	CRFS-PN22T	PN-22T																	4BSS-22	
1 7/16	-	CRFS-PN23T	PN-23T	5782 25720	4 5/8 117.5	3 5/8 92.1	1 11/32 34.1	9/16 14.3	1 3/4 44.5	1 11/16 42.9	2 9/16 65.1	3 3/4 95.3	11/16 17.5	2 1/4 57.2	3 5/16 84.1	1/2	4.00 1.81	ECO-23	ECC-23	4BSS-23	
-	35	CRFS-PN207T	PN-207T																	4BSS-22	
1 1/2	-	CRFS-PN24T	PN-24T	7340 32650	5 1/8 130.2	4 101.6	1 1/2 38.1	9/16 14.3	2 1/64 51.2	1 15/16 49.2	2 11/16 68.3	4 5/64 103.6	3/4 19.1	3 1/64 76.6	3 1/2 88.9	1/2	5.50 2.49	ECO-24	ECC-24	4BSS-24	
-	40	CRFS-PN208T	PN-208T																	N/A	
1 11/16	-	CRFS-PN27T	PN-27T															ECO-27		4BSS-27	
1 3/4	-	CRFS-PN28T	PN-28T	7901 35145	5 3/8 136.5	4 1/8 104.8	1 9/16 39.7	9/16 14.3	2 3/64 52.0	1 15/16 49.2	2 15/16 74.6	4 21/64 109.9	3/4 19.1	3 3/64 77.4	3 7/8 98.4	9/16	5.70 2.59	N/A	ECC-27	N/A	
-	45	CRFS-PN209T	PN-209T																		
1 15/16	-	CRFS-PN31T	PN-31T																	4BSS-31	
2	-	CRFS-PN32RT	PN-32RT	7889 35092	5 5/8 142.9	4 3/8 111.1	1 9/16 39.7	9/16 14.3	2 5/32 54.8	2 1/32 51.6	3 3/8 85.7	4 35/64 115.5	3/4 19.1	3 3/64 77.4	4 101.6	9/16	6.70 3.04	ECO-31	ECC-31	N/A	
-	50	CRFS-PN210T	PN-210T																	4BSS-31	
2	-	CRFS-PN32T	PN-32T	9752 43379	6 3/8 161.9	5 1/8 130.2	1 3/4 44.5	13/16 20.6	2 5/16 58.7	2 3/16 55.6	3 1/2 88.9	5 3/16 131.8	7/8 22.2	3 13/32 86.5	4 1/4 108.0	5/8	10.50 4.76	ECO-32	ECC-35	4BSS-32	
2 3/16	-	CRFS-PN35T	PN-35T																		
-	55	CRFS-PN211T	PN-211T	9752 43379	6 3/8 161.9	5 1/8 130.2	1 3/4 44.5	13/16 20.6	2 5/16 58.7	2 3/16 55.6	3 5/8 92.1	5 3/16 131.8	7/8 22.2	3 13/32 86.5	4 1/4 108.0	5/8	10.50 4.76	ECO-35	ECC-35	4BSS-35	
2 3/8	-	CRFS-PN38T	PN-38T															ECO-38	ECC-38	4BSS-38	
2 7/16	-	CRFS-PN39T	PN-39T	11789 52440	6 7/8 174.6	5 5/8 142.9	1 15/16 49.2	13/16 20.6	2 11/16 68.3	2 9/16 65.1	4 1/8 104.8	5 7/16 138.1	1 25.4	3 51/64 96.4	5 127.0	5/8	11.80 5.35	ECO-39	ECC-39	4BSS-39	
-	60	CRFS-PN212T	PN-212T															ECO-38	ECC-38	4BSS-38	

Metric dimensions for reference only.
 Not all parts are available from stock. Please contact customer service for availability (800) 626-2120.
 For more information on bearing capabilities outside of our standard offering, please contact Application Engineering (800) 626-2093.